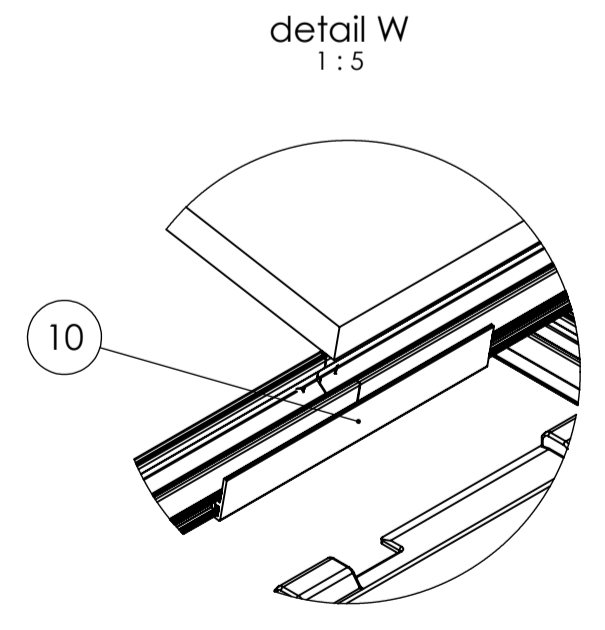
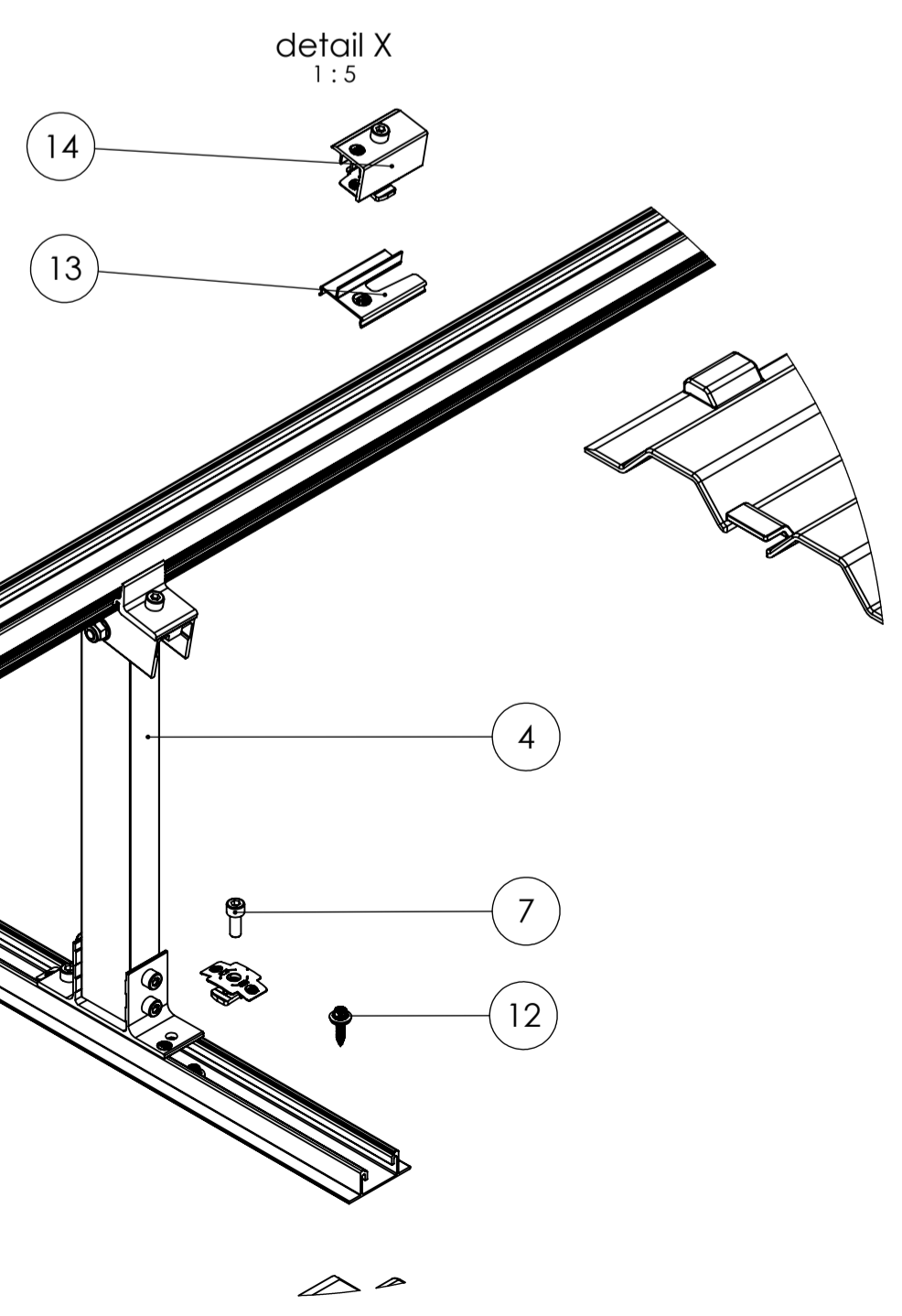
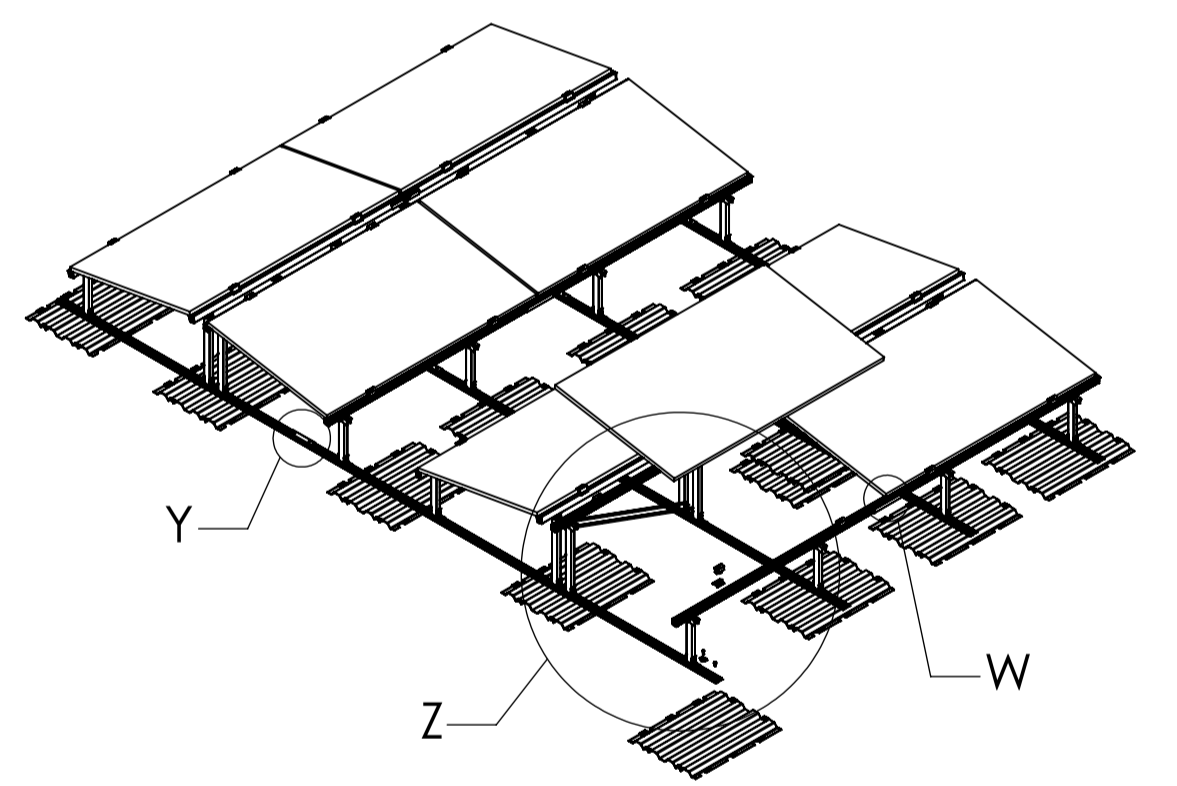
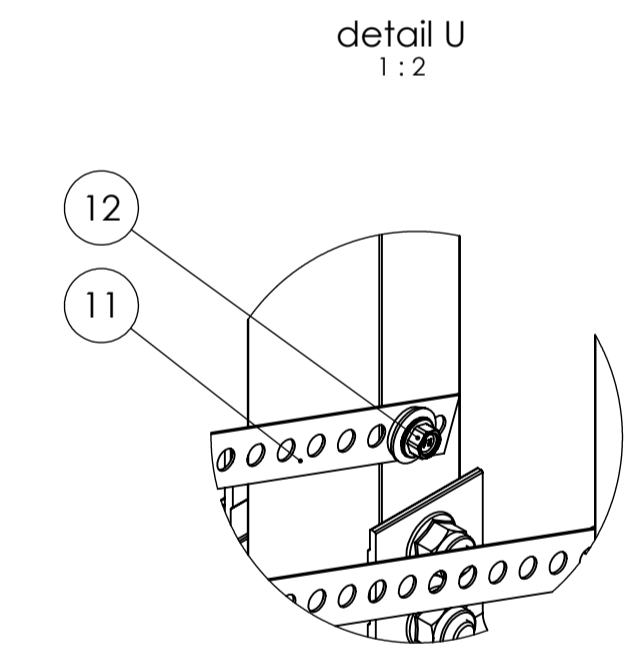


layout sample 1:50



Project specific geometry is determined by row spacing, module length and clamping position in our planning software K2 Base. Calculated values are given for your project in your project's K2 Base report.

Pos.No.	Designation	Alternatively
1	PE-Plate REN 600x800	
2	K2 BasicRail 22	
3	Dome FlatConnector Set	
4	GreenRoof 2.0 Support 376	
5	GreenRoof 2.0 Support 576	GreenRoof 2.0 Support 674
6	MK2	
7	Socket head bolt - serrated - sim. ISO 4762 - M8x20 - A2-70	
8	SingleRail 50	SingleRail 36
9	SingleRail 50 EndCap	SingleRail 36 EndCap
10	SingleRail 36/50 RailConnector	
11	Metal perforated tie 17 x 0,8 - 10m	
12	Thread-forming metal screw 6x25_rs	
13	AddOn XS	
14	XS Clamp EC Black Set 30	XS Clamp EC Black Set 33 / 35
17	TerraGrif K2SZ	
18	Betonstein 300x300x108	
19	Multi-Monti concrete screw 7.5x40	

example configurations

mm	Module width	Module inclination	mm	height front	mm	height back	mm	distance foot M2	GreenRoof 2.0 Support 576	GreenRoof 2.0 Support 674	SingleRail 36	SingleRail 50
1134	10°	451	679	999	○	○	○	○	○	○	○	○
1134	15°	451	775	977	○	○	○	○	○	○	○	○
1134	10°	437	665	999	○	○	○	○	○	○	○	○
1134	15°	437	761	977	○	○	○	○	○	○	○	○

K2 Systems GmbH  
Haldenstr. 1  
71272 Renningen  
Germany  
+49 7159 42059-0

System Data Sheet  
GreenRoof 2.0  
Landscape A-Form

Number: E-00004554  
Revision: A1

Designed: ASO	Date: 13.04.2026	Material:	Surface:	Weight:	Scale: 1:20
Approved:					
Last change:					

This drawing is the sole property of K2 Systems GmbH. It is protected by copyright and may only be copied, reproduced or distributed to a third party with explicit permission!